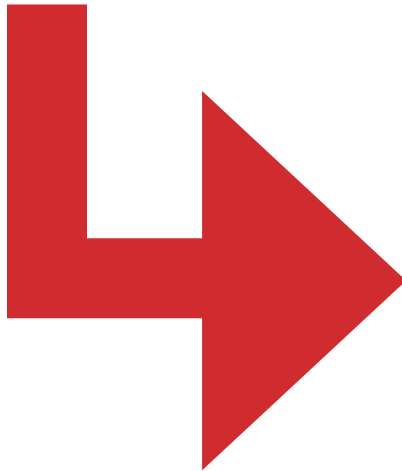




Upgrade
an Existing TPR®
to the **NEW** UniLock®



Increase Productivity

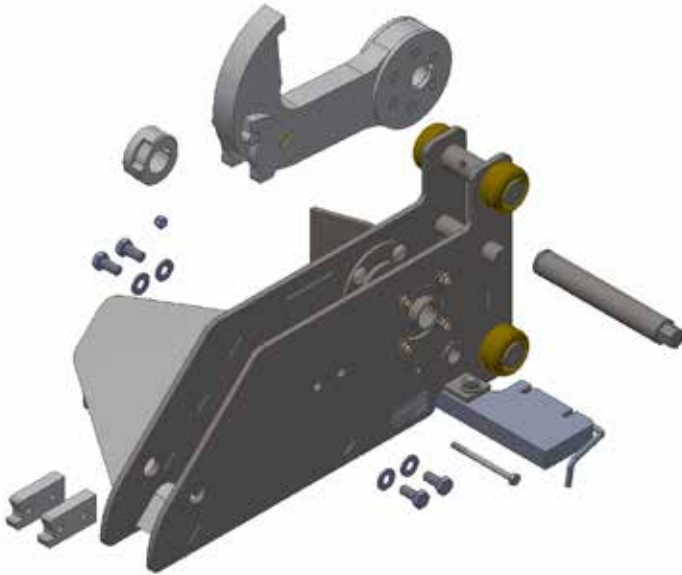
Don't waste time reversing trucks to release "RIG Wedge" pressure. Upgrade a TPR to the UniLock and have an advanced cam design that automatically releases RIG Wedge. Save time and increase efficiency.

Increase Safety

When servicing trailers with obstructed Rear Impact Guards, such as intermodal trailers with cover plates, upgrade to the UniLock to ensure a secure engagement is always maintained utilizing the new internal safety mechanism that locks the hook in place.

RETROFIT KITS AVAILABLE BASED ON TPR PURCHASE DATE

BEFORE SEPTEMBER 2017



KIT INCLUDES

UniLock Carriage (fully assembled)

UniLock Hook (fully assembled)

Timer Control (control box part)

Timer Socket

SEPTEMBER 2017 AND AFTER



KIT INCLUDES

UniLock Hook (partially assembled)

Hardware and Hook Components

Timer Control (control box part)